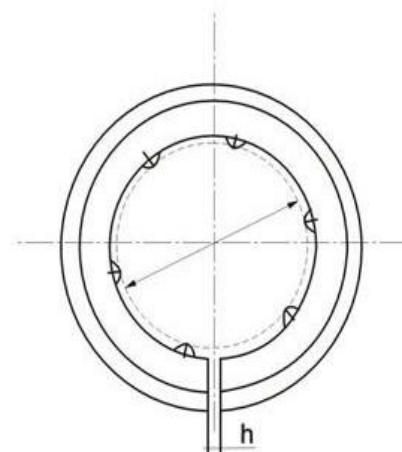
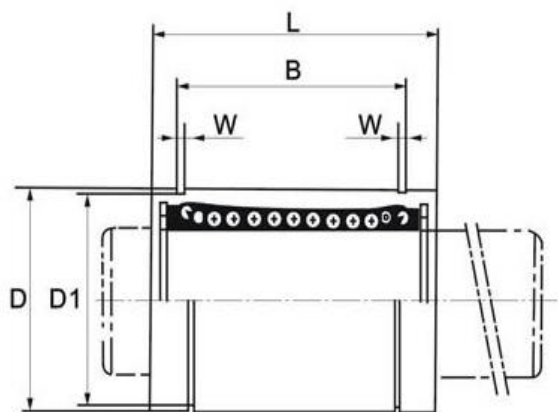




LM...UU-AJ



Model Number	Ball Circuit	Weight (g)	Dimensions(mm)											Eccentricity(μm)		Radial Clearance(Max) μm	Basic Load Rating		
			dr	Tolerance (μm)		D	Toleranc e(μm)	L	Toleranc e(μm)	B	Toleranc e(μm)	W	D1	h	Precision		High	Dynamic (CN)	Static (CoN)
				Precision	High														
LM6UU-AJ	4	8	6			12		19		13.5		1.1	12	1			206	265	
LM8SUU-AJ	4	10	8			15	0-11	17		11.5		1.1	14	1		-3	176	216	
LM8UU-AJ	4	15	8			15		24		17.5		1.1	14	1			274	392	
LM10UU-AJ	4	29	10	0-6	0-9	19		29	0-200	22	0-200	1.3	18	1	8	12	372	549	
LM12UU-AJ	4	31	12			21	0-13	30		23		1.3	20	2		-4	510	784	
LM13UU-AJ	4	42	13			23		32		23		1.3	22	2			510	784	
LM16UU-AJ	5	68	16			28		37		26.5		1.6	27	2		-6	774	1180	
LM20UU-AJ	5	85	20			32		42		30.5		1.6	31	2			882	1370	
LM25UU-AJ	6	216	25	0-7	0-10	40	0-16	59		41		1.85	38	2	10	15	980	1570	
LM30UU-AJ	6	245	30			45		64		44.5		1.85	43	3		-8	1570	2740	
LM35UU-AJ	6	384	35			52		70	0-300	49.5	0-300	2.1	49	3			1670	3140	
LM40UU-AJ	6	579	40	0-8	0-12	60	0-19	80		60.5		2.1	57	3	12	20	2160	4020	
LM50UU-AJ	6	1560	50			80		100		74		2.6	77	3		-13	3820	7940	
LM60UU-AJ	6	1820	60	0-9	0-15	90	0-22	110		85		3.15	87	3	17	25	4700	10000	
LM80UU-AJ	6	4300	80			120		140		105.5		4.15	116	3		-20	7350	16000	
LM100UU-AJ	6	8540	100	0-10	0-20	150	0-25	175	0-400	125.5	0-400	4.15	145	3	20	30	14100	34800	
LM120UU-AJ	8	14900	120			180		200		158.5		4.15	175	3		-25	16400	40000	
LM150UU-AJ	8	20150	150	0-13	0-25	210	0-29	240		170.6		5.15	204	3	25	40	21100	54300	