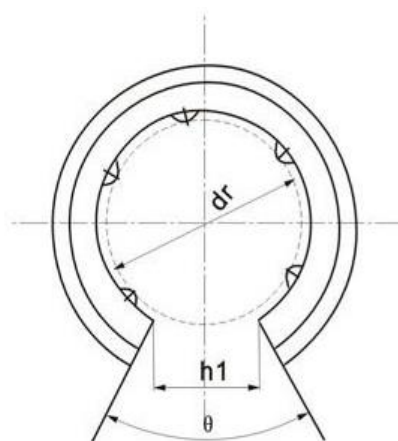
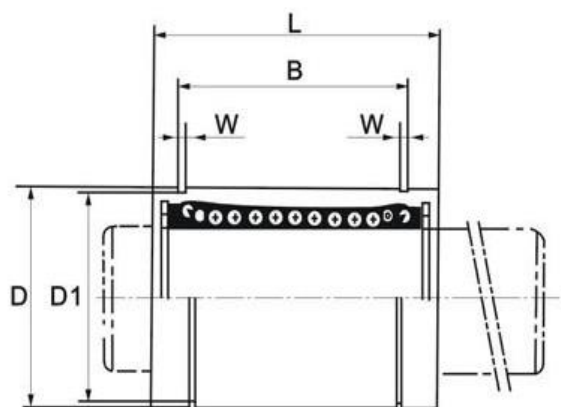




LM...UU-OP



Model Number	Ball Circuit	Weight (g)	dr	Dimensions(mm)											Eccentricity(μm)		Radial Clearance(Max) μm	Basic Load Rating		
				Tolerance (μm)		D	Tolerance (μm)	L	Tolerance (μm)	B	Tolerance (μm)	W	D1	h1	θ	Precision		High	Dynamic (CN)	Static (CoN)
				Precision	High															
LM10UU-OP	4	23	10	0-6	0-9	19	0-13	29	0-200	22	0-200	1.3	18	6.8	80°	8	12	-4	372	549
LM12UU-OP	4	25	12			21		30		23		1.3	20	8	80°				510	784
LM13UU-OP	4	34	13			23		32		23		1.3	22	9	80°				510	784
LM16UU-OP	5	52	16	0-7	0-10	28	0-16	37	0-300	26.5	0-300	1.6	27	11	80°	10	15	-6	774	1180
LM20UU-OP	5	69	20			32		42		30.5		1.6	31	11	60°				882	1370
LM25UU-OP	6	188	25			40		59		41		1.9	38	12	50°				980	1570
LM30UU-OP	6	210	30	0-8	0-12	45	0-19	64	0-300	44.5	0-300	1.9	43	15	50°	12	20	-8	1570	2740
LM35UU-OP	6	335	35			52		70		49.5		2.1	49	17	50°				1670	3140
LM40UU-OP	6	500	40			60		80		60.5		2.1	57	20	50°				2160	4020
LM50UU-OP	6	1340	50	0-9	0-15	80	0-22	100	0-400	74	0-400	2.6	77	25	50°	17	25	-10	3820	7940
LM60UU-OP	6	1610	60			90		110		85		3.2	87	30	50°				4700	10000
LM80UU-OP	6	3650	80			120		140		106		4.2	116	40	50°				7350	16000
LM100UU-OP	6	7200	100	0-10	0-20	150	0-25	175	0-400	126	0-400	4.2	145	50	50°	20	30	-20	14100	34800
LM120UU-OP	8	11600	120			180		200		159		4.2	175	85	80°				16400	40000
LM150UU-OP	8	15700	150			210		240		171		5.2	204	105	80°				21100	54300