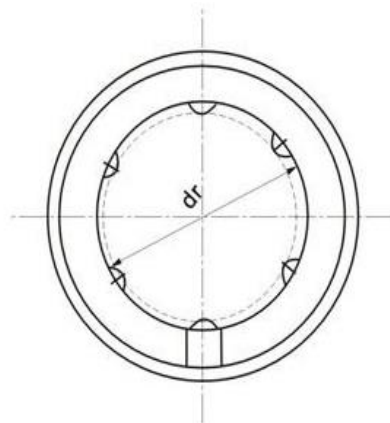
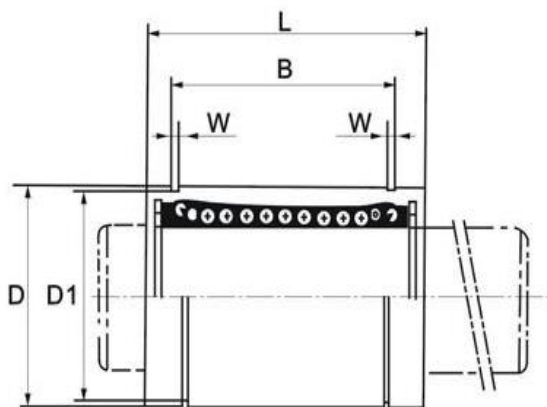




LM...UU



Model Number	Ball Circuit	Weight (g)	dr	Dimensions(mm)										Eccentricity(μm)		Radial Clearance(Max) μm	Basic Load Rating	
				Tolerance (μm)		D	Tolerance (μm)	L	Tolerance (μm)	B	Tolerance (μm)	W	D1	Precision	High		Dynamic (CN)	Static (CoN)
				Precision	High													
LM3UU	4	1.4	3	0-5	0-8	7	0-9	10	0-120					4	8	-3	69	105
LM4UU	4	1.9	4			8		12									88	127
LM5UU	4	4	5			10		15									167	206
LM6UU	4	8	6	0-6	0-9	12	0-11	19	0-200	13.5	0-200	1.1	9.6	8	12	-3	206	265
LM8SUU	4	11	8			15		17									176	216
LM8UU	4	16	8			15		24									274	392
LM10UU	4	30	10	0-6	0-9	19	0-13	29	0-200	22	0-200	1.3	18	8	12	-4	372	549
LM12UU	4	31.5	12			21		30									510	784
LM13UU	4	43	13			23		32									510	784
LM16UU	5	69	16	0-7	0-10	28	0-16	37	0-300	26.5	0-300	1.6	27	10	15	-6	774	1180
LM20UU	5	87	20			32		42									882	1370
LM25UU	6	220	25			40		59									980	1570
LM30UU	6	250	30	0-8	0-12	45	0-19	64	0-300	44.5	0-300	1.9	43	12	20	-8	1570	2740
LM35UU	6	390	35			52		70									1670	3140
LM40UU	6	585	40			60		80									2160	4020
LM50UU	6	1580	50	0-9	0-15	80	0-22	100	0-400	74	0-400	2.6	77	17	25	-13	3820	7940
LM60UU	6	2000	60			90		110									4700	10000
LM80UU	6	4520	80			120		140									7350	16000
LM100UU	6	8600	100	0-10	0-20	150	0-25	175	0-400	126	0-400	4.2	145	20	30	-20	14100	34800
LM120UU	8	15000	120			180		200									16400	40000
LM150UU	8	20250	150			0-13		0-25									210	0-29